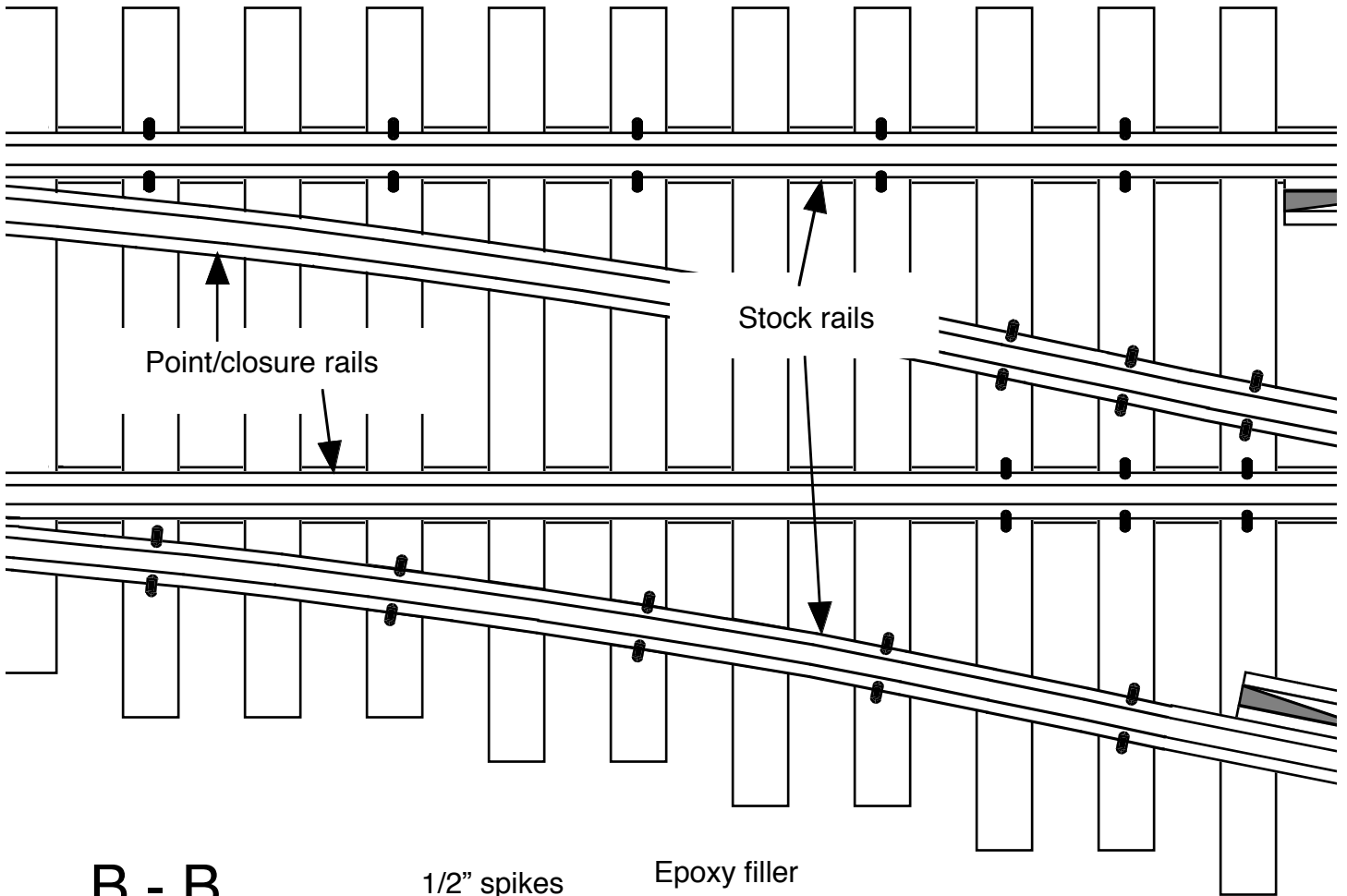
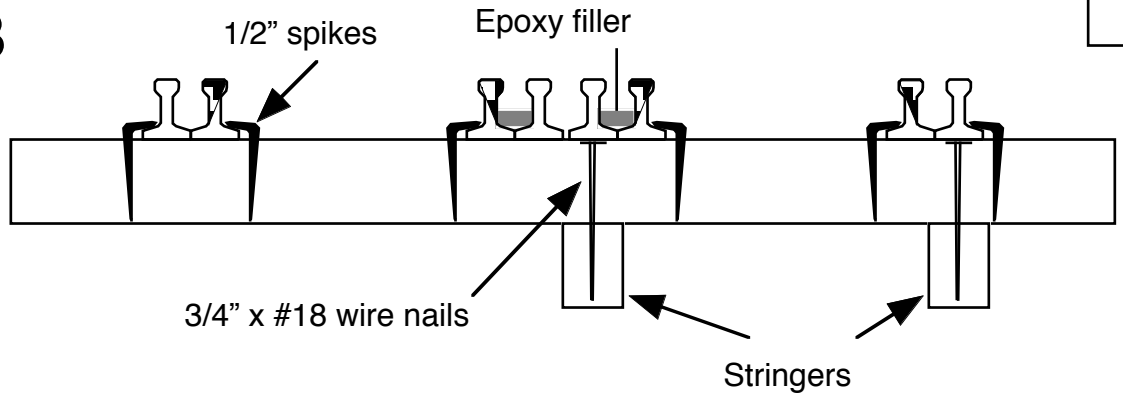


In Steve Monson's article on building switches in the June 2009 issue, there was an error on page 47. In the table called "Rail lengths (inches)," the entry for #5 closure/point rails should read "16 3/4."

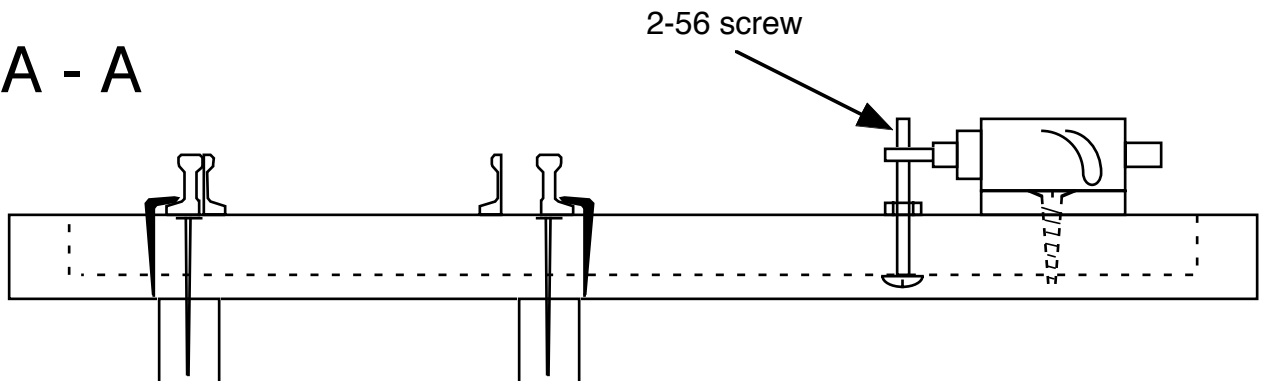
#5 Turnout RH (full size)

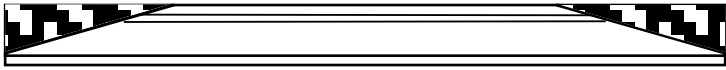
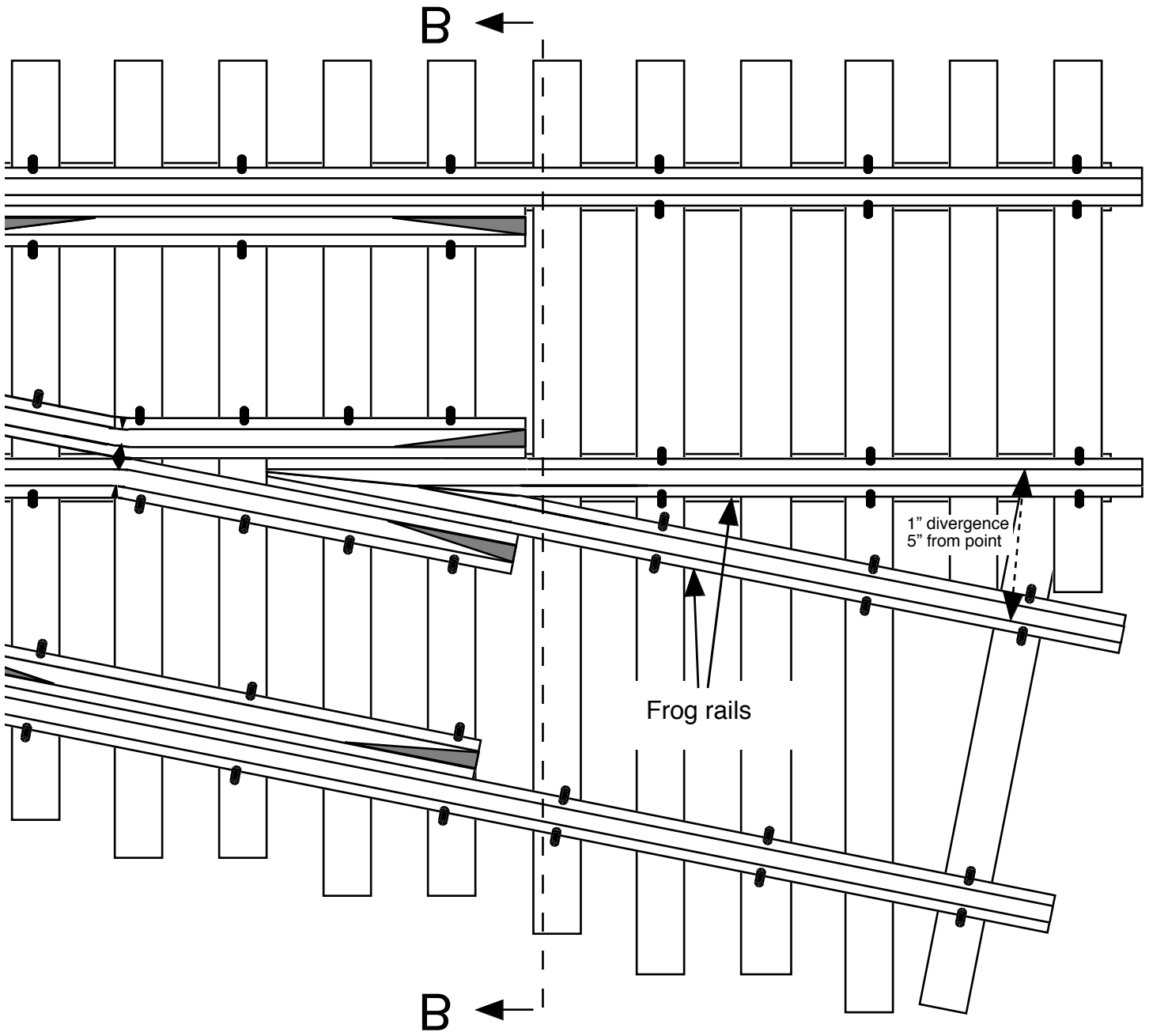


B - B



A - A





Guard rail with beveled ends

The length of the straight stock rail on each page is 7.5 inches. (190.5 mm)