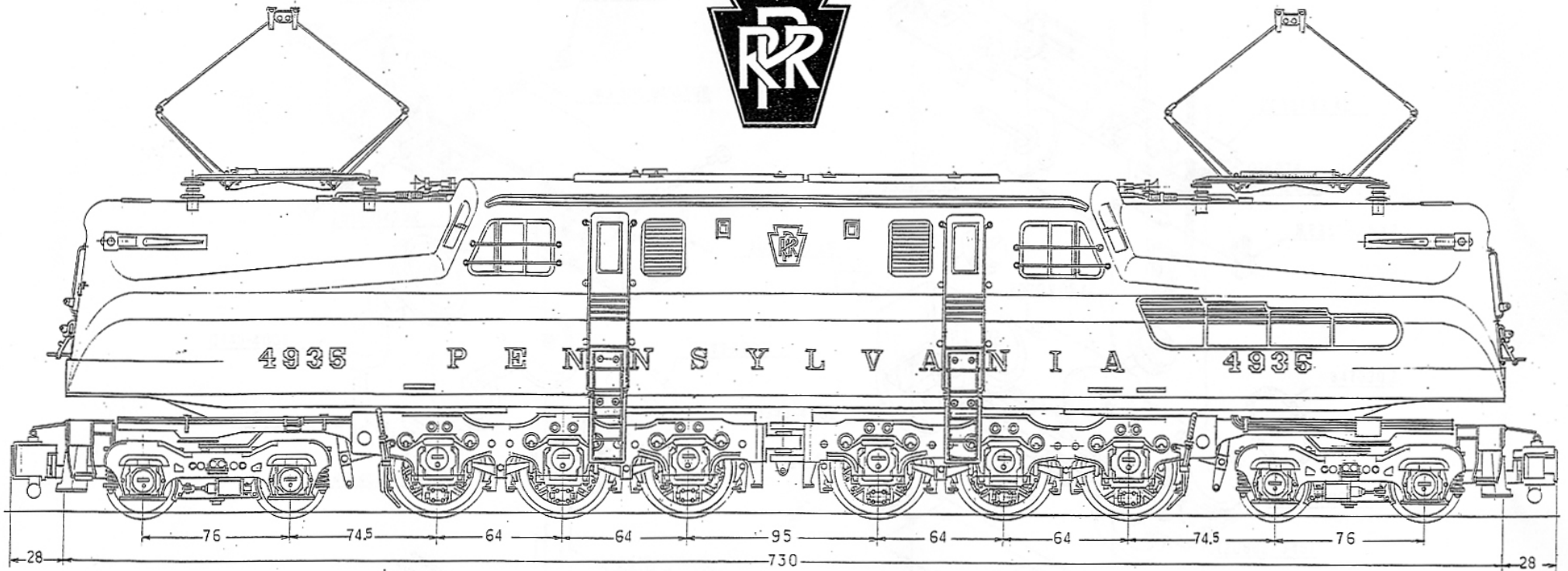
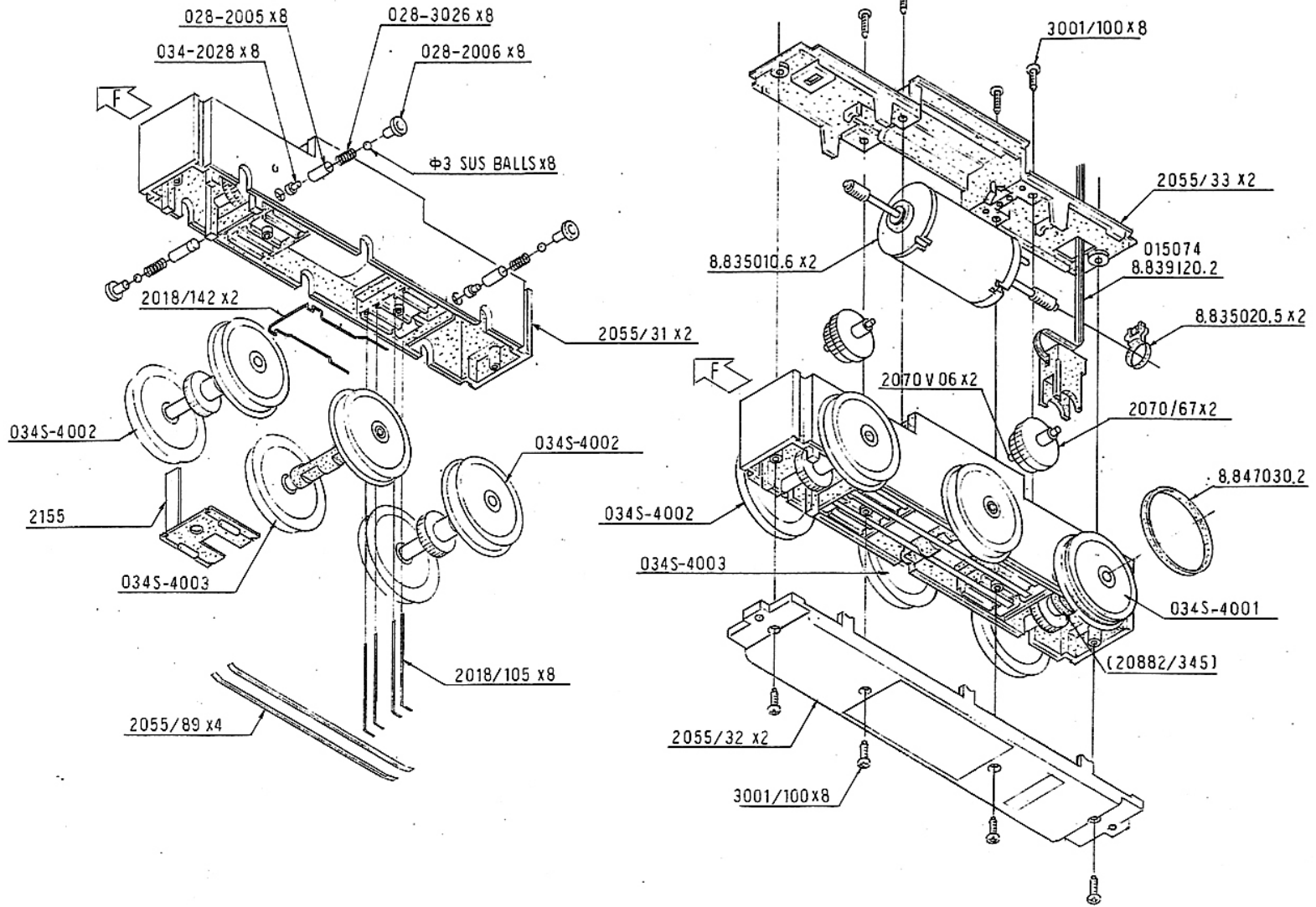


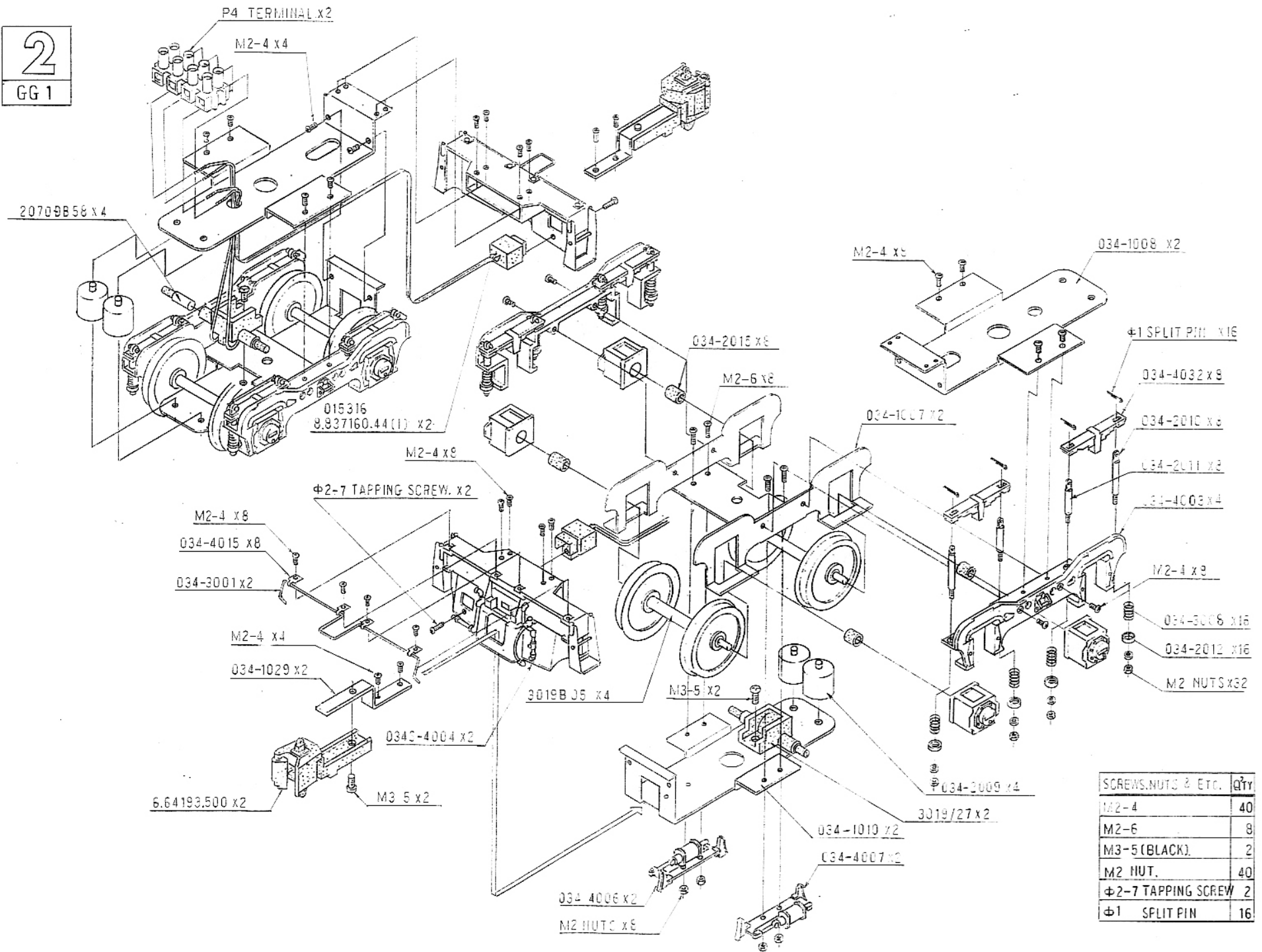
Pennsylvania GG-1



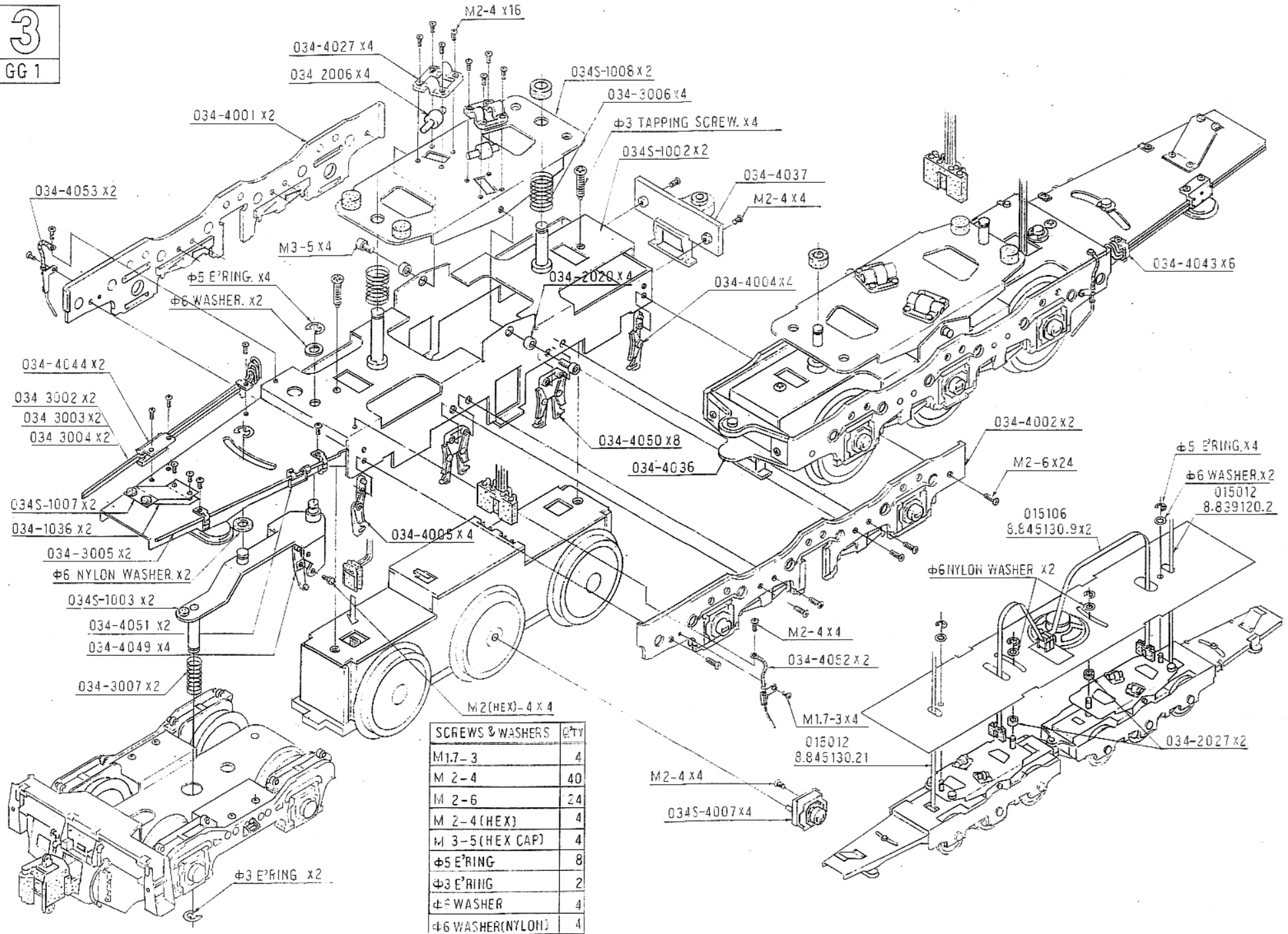
発行
2004. 5. 20
設計室



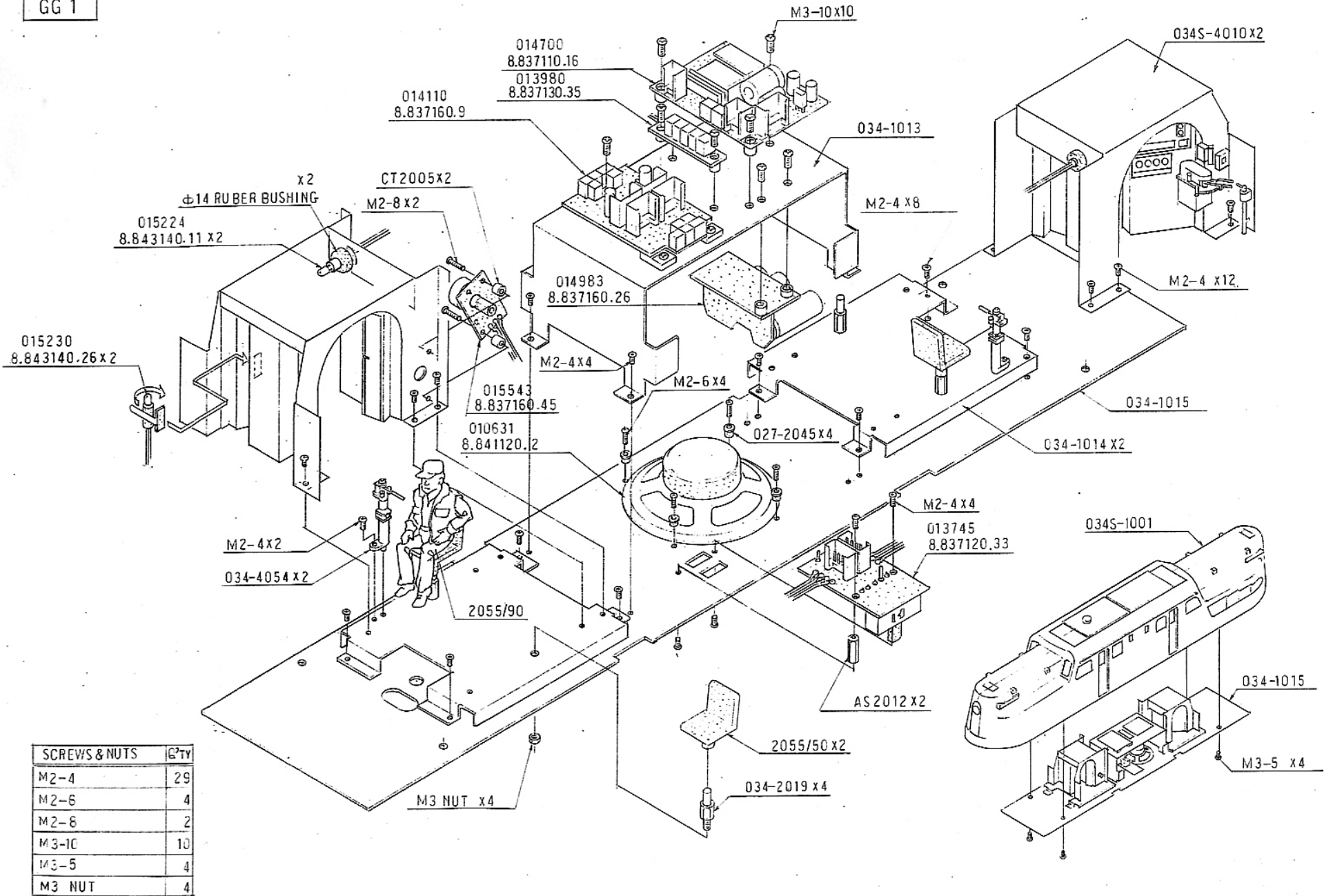
2
GG 1



SCREWS,NUTS & ETC.	Qty
M2-4	40
M2-6	8
M3-5 (BLACK)	2
M2 NUT.	40
Φ2-7 TAPPING SCREW	2
Φ1 SPLIT PIN	16

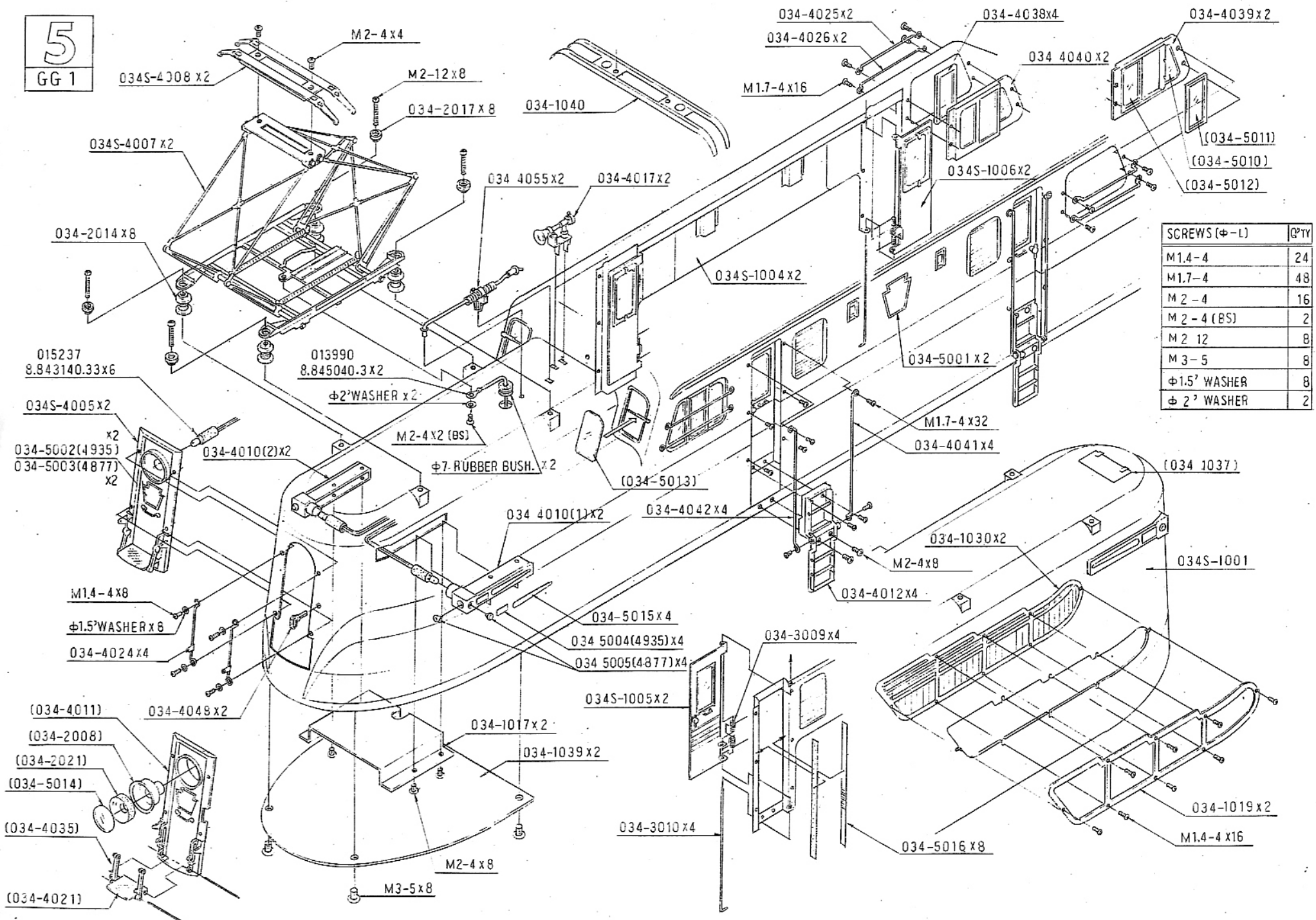


SCREWS & WASHERS	QTY
M1.7-3	4
M 2-4	40
M 2-6	24
M 2-4 (HEX)	4
M 3-5 (HEX CAP)	4
Φ5 E'RING	8
Φ3 E'RING	2
Φ5 WASHER	4
Φ6 WASHER (NYLON)	4



SCREWS & NUTS	QTY
M2-4	29
M2-6	4
M2-8	2
M3-10	10
M3-5	4
M3 NUT	4

5
GG 1



SCREWS (φ-L)	QTY
M1.4-4	24
M1.7-4	48
M2-4	16
M2-4 (BS)	2
M2-12	8
M3-5	8
φ1.5" WASHER	8
φ2" WASHER	2

6
GG 1

